

Wheeled Hydraulic Excavator Specifications

MH 4.5



Service weight 13,0 – 14,3 t
Engine output 61 kW
Bucket capacities 0,35 -0,6 m³
(SAE)

- PMS three-pump hydraulics
- Electronic control and monitoring system
- Deluxe cab with noise suppression
- Very low noise and exhaust emissions
- Highly fuel efficient
- Outstanding stability
- Ample lift capacities



Powerful, fast, reliable: the MH 4.5 from O&K



Electronic immobilizer
standard

Zero-loss superstructure
start-up and braking with
energy recovery

4 stick options, backhoe and
rock bucket plus various
attachments

Generous stick and bucket
working ranges

Patented multi-disc brake
permits almost jolt-free
working



CE symbol according to EC Machinery Directive.
TÜV certificate for compliance with DIN ISO EN 9001.
Lifting gear operation permitted with anti-burst and overload warning devices installed.



Ultramodern cab in softline design with ample space for the operator

Electronic engine and pump management system PMS III

Powerful Deutz diesel engine, water-cooled and clean

Fuel savings through freely selectable engine speeds

Encapsulated ball-bearing swing ring with lifetime lubrication

Variable-speed drive motor with automatic tractive force adjustment

Comfortable multi-disc transmission, gear-shifting under partial loads

Engine and pump control PMS III boosts performance and lowers costs

PMS III manages engine and pump performance to unbeatable levels of comfort and efficiency. All the important functions are monitored in order to reduce downtime and extend durability. Ongoing comparison of stored target data (e.g., temperature) with actual values provides automatic adjustment of engine and pump performance in the event

of any deviations. The engine is never overworked! The diagnosis system makes any malfunctions visible and thus simplifies service.

Effective anti-theft device through electronic immobilizer

A standard feature on all O&K excavators is an electronic immobilizer which makes sure that the engine will only start up once a code has been entered. The immobilizing function is overridden by pressing the control panel keys. During working hours the immobilizer can be disconnected and then reactivated after hours, thus preventing theft, of increasing occurrence on construction sites.

Fuel consumption with smart technology drastically lowered

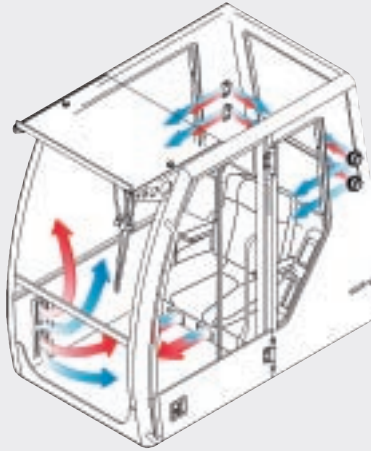
Power under control; O&K has many examples to illustrate this: alongside variable flow, prioritized ECO output level and rev-lowering under zero-load conditions. Plus the closed swing circuit preventing unnecessary hydraulic heat-buildup when swinging or braking the superstructure. Hence, less need to cool and less fuel consumption.

Variable flow ensures precise control

High-precision volume control meters exactly the right amount of oil flow for any particular function. Attachment functions are initiated with maximum sensitivity and virtually no losses. The outcome: lower oil temperatures, extended uptime for all components and appreciable fuel savings.



Comfortable workplace, performance-enhancing ergonomics



The air conditioning system (optional) uses an ingenious airflow system to ensure agreeable temperatures at all times.

The air conditioning system (optional) uses an ingenious airflow system to ensure agreeable temperatures at all times.

The ultramodern cab on the MH 4,5 has ample space for the operator plus stowage area behind the seat. The rounded tinted windows of the futuristic softline design prevent glare. The structure of the frame parts and large roof window improve upward visibility substantially. The front pane slides easily under the roof (a standard feature) where it locks safely into place. The lower part can be tilted for optimum cab ventilation.

The doors have sliding windows as standard. The front roof projection in tinted Lexan glass keeps out the rain with the front window open while a standard sunshade prevents rays entering from the front and top.

The bright and stimulating colors and stylish design combine to create an agreeable working ambience. All the controls are designed and positioned according to the latest ergonomic findings. The servo-controlled levers with short throw and integrated buttons for additional functions, are conveniently positioned in the individually adjustable side consoles. Additional assets: the comfortable adjustable swing seat, the low noise level, and an extra-throughout ventilator providing slight overpressure within the cab.



Fits snugly behind the operator's seat: the O&K cool box (optional).

Rugged, highly efficient engine

The powerful water-cooled Deutz engine is efficient and kind to the environment. With its exceptional efficiency, the electronic Pump Managing System PMS III translates this power into ample hydraulic performance.



"Drive" function: power to spare standard

With its standard drive function, this O&K unit has power to spare on rough terrain and easily negotiates steep grades when using the creep function. The variable-speed drive

motor automatically adjusts travel speed and hence reduces the need for gear shifting.

Service-friendly design for maintenance in no time at all



Excellent accessibility to the engine and all components shortens maintenance time and boosts productivity. All service items are quickly and easily accessible. Daily maintenance can be performed from ground level. Work is done in no time at all. Long-term lubricated components such as the fully encapsulated ball-bearing swing ring extend maintenance intervals.



The neatly laid-out central display indicates to the operator any necessary checks and maintenance jobs. Additionally, the O&K diagnosis system records any engine and/or hydraulic malfunctions, thus acting as an early warning system before any damage occurs.

Fast gear shifting through comfortable multi-disc manual transmission



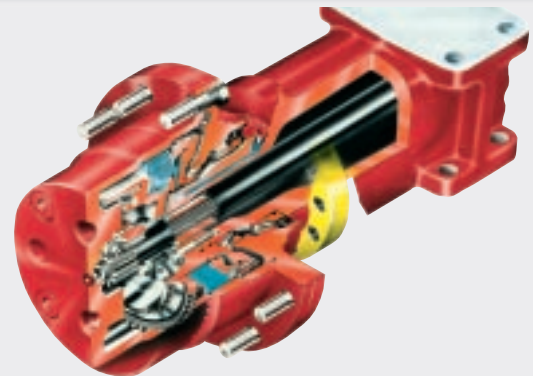
A multi-disc transmission makes O&K wheeled excavators even faster, with less work for the operator. The transmission shifts under part loads, i.e. gear changes are more comfortable and quicker.

High ground clearance

As the transmission is directly flanged to the rear axle, the MH 4.5 has an outstanding ground clearance. The steering cylinders are safeguarded against damage in the axle housing.

Patented multi-disc brake permits virtually jolt-free working

Conventional systems transfer planetary gear backlash, causing a frequent see-sawing movement of the excavator. This has been largely overcome through O&K's patented technology. Braking force is directly transferred to the brake, the excavator staying almost jolt-free. The hydraulically operated oil brake is a completely sealed system and delivers full braking action even under the most punishing conditions (in water). In contrast to pneumatic systems, there is no risk of condensing water, freezing in winter and frequently impairing braking response.



Rugged frame weldment

The rugged torsionally stiff frame is of box design and robot welded for absolute precision and a long service life.



Engine

Deutz diesel engine BF 4 M 1012

Water-cooled • Exhaust-gas turbocharger • Integrated cooling system for lube oil and coolant • Dry air filter with safety element and contamination indicator • Electric rev adjustment • Electric engine stop at key switch

Engine output ISO 9249	61 kW / 2300 RPM
Governed engine output	58 kW
Cylinders / displacement	4 / 3200 cm ³
Bore / stroke	94 mm / 115 mm
Voltage	24 V
2 batteries	each 12 V / 92 Ah
Alternator	28 V / 35 A
Starter	4 kW / 24 V



Hydraulics

PMS 3-pump system with two main pumps and a separate swing pump • Main pumps each with individual control • Double flow • Parallel bucket circuits for 4 functions simultaneously • Microfiltration of return oil, servo and swing circuits • Flow on demand • Hydraulic cooler with hydrostatic fan drive

Maximum delivery main pumps	2 x 126 l/min
Maximum delivery swing pump	64 l/min
Maximum pressure without booster	320 bar
Maximum pressure with booster	360 bar
Maximum pressure, swing gear	390 bar



Control and monitoring system

Engine and pump monitoring system with electronic load limit (PMS III) • Controlled heat-up phase • Engine and hydraulic system temperature monitoring, with rev limit to protect engine and pumps • Automatic rev return

4 output levels:

	Drive	Heavy	Eco	Lift
RPM	2300	2100	2000	1800
Pump output	–	100%	90%	65%



Swing gear

Swing pump/motor within sealed circuit for zero-loss superstructure start-up and braking • Swing gear with built-in wear-proof multi-disc brake • Encapsulated ball-bearing swing ring with lifetime lubrication

Effective slewing moment	35 kNm
Max. rpm	9.1



Cab

Tinted safety glass • Front top pane retracts, lower part removable • Sliding windows in the doors • Roof window • Rain-protection roof • Three-speed blower • Defroster nozzles for leg area and front windows • Central display for all control and monitoring functions • Deluxe seat • Control functions to SAE recommendations • Individually adjustable side consoles • Ergonomic servo-control levers



Drive

Hydraulic all-wheel variable-speed drive • "Drive" function • Tractive forces adjusted automatically • Planetary excavator axle with integrated, directly-acting multi-disc brakes • Steering cylinder integrated within the axle • Transmission flanged to axle

Max. effective tractive force	85 kN		
Max. travel speed	Terrain	low gear:	6.0 km/h
	Road	high gear:	20 km/h
Creep speed		low gear:	2.5 km/h
		high gear:	9.0 km/h
Standard tyres (8)	10.00-20		



Capacities

Fuel tank	250 l
Cooling system	10 l
Engine oil incl. filter*	11.5 l
Slewing gear*	3.5 l
Hydraulic tank*	170 l
Hydraulic system	250 l

* for oil change

Equipment

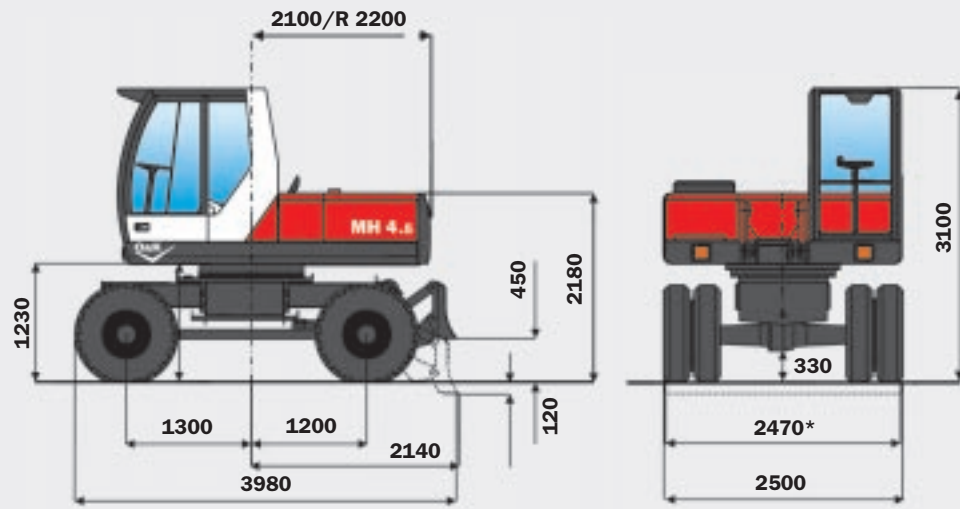
Low maintenance through hardened and corrosion-proofed bearing pins, low-wear bushings, sealed bearings and easily accessible grease distributor for boom • Hydraulic cylinders with articulated bearings • Progressive end-of-stroke dampening • Spotlight mounted on boom

Options

A/C • Eco-friendly hydraulic oil • Auxiliary heating • Anti-burst and overload warning devices • Pressure booster with power boost operation • Spacers • Cassette/radio or prepared for radio/cassette • Additional headlamp • Electric refuelling • Special tyres • Grab swivel device • Stone guard • Comfort package

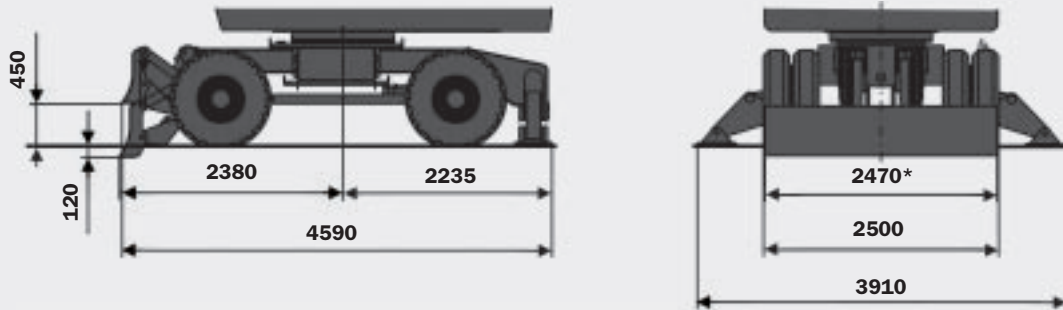
Dimensions and weights

PLA



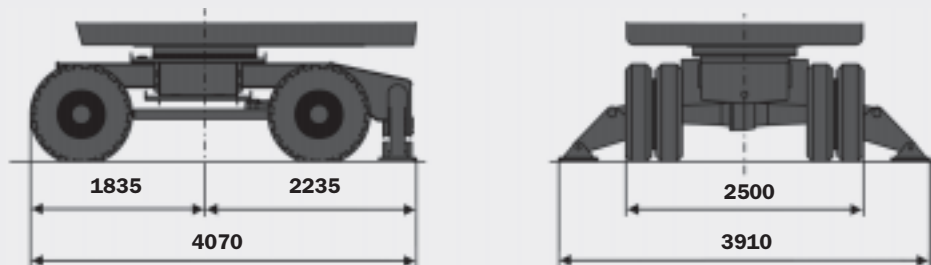
* Dozer blade

PLA/A2

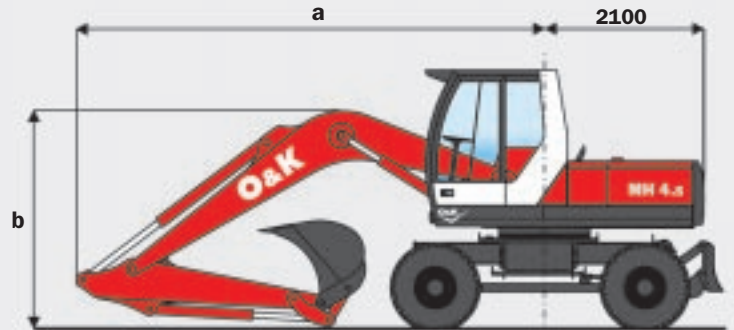
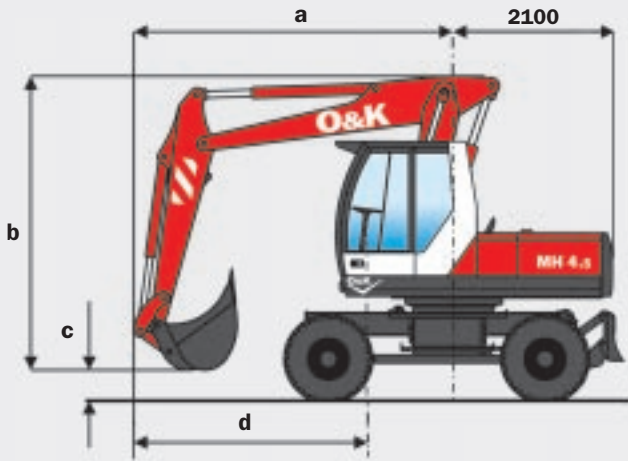


* Dozer blade

A2



Dimensions and weights



Road travel				
Sticks	Backhoe equipment PLA or A2			
	a	b	c	d
1.7 m	3690	4000	950	2640
2.3 m	3690	4000	330	2640
2.5 m	3690	4000	270	2640
2.9 m*	3570*	4000*	250*	2520*

Road travel				
Sticks	Backhoe equipment PLA/A2			
	a	b	c	d
1.7 m	3680	4000	300	2640
2.3 m	3720	4000	300	2680
2.5 m	3770	4000	260	2750
2.9 m*	3560*	4000*	210*	2520*

* without bucket

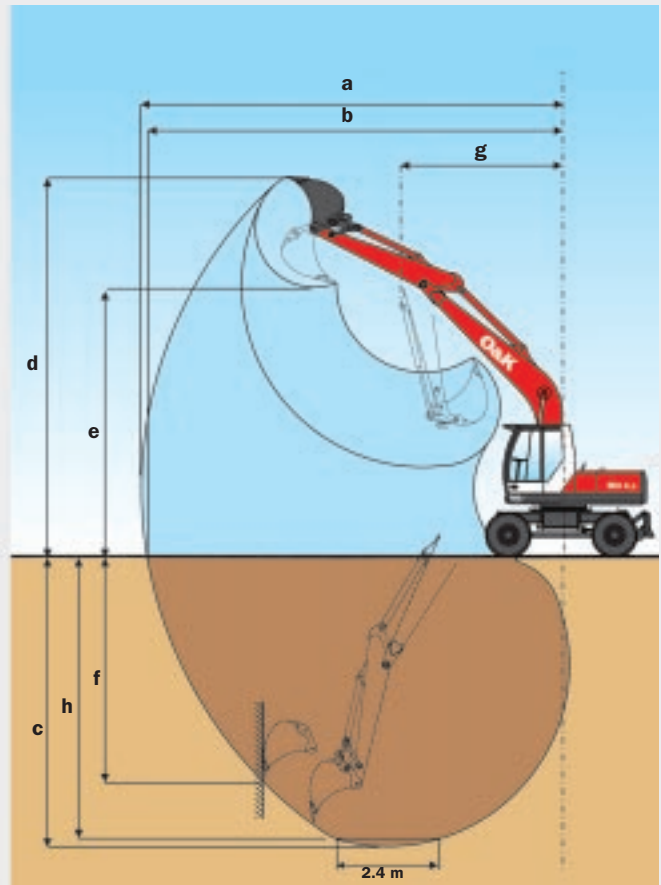
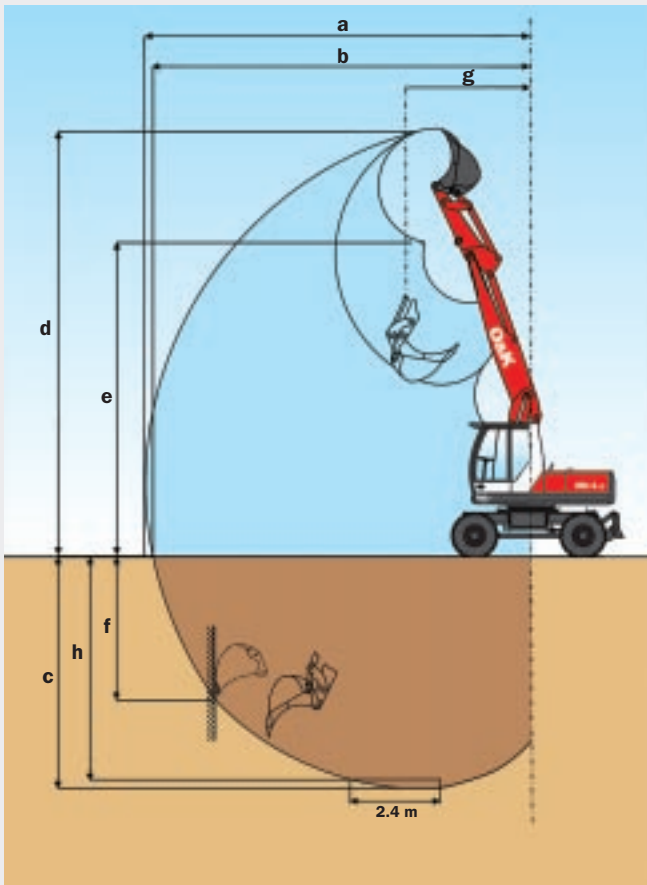
Road travel				
Sticks	Grab equipment PLA, A2, and PLA/A2			
	a	b	c	d
1.7 m	4040	4000	1240	3000
2.3 m	4090	4000	870	3050
2.5 m	4160	4000	700	3120
2.9 m*	3570*	4000*	210*	2520*

* without bucket

Loading dimensions for equipment				
Sticks	Adjustable boom		Monoboomb	
	a	b	a	b
1.7 m	5600	2850	5700	2850
2.3 m	5700	2950	5700	2900
2.5 m	5700	3000	5700	2950
2.9 m	5750	3050	5750	3100

	Weight of backhoe Adjustable boom 2.1/3.0 m, Stick 2.3 m Backhoe 0,6 m ³ SAE	Weight of backhoe Monoboomb 4.6 m, Stick 2.3 m Backhoe 0.6 m ³ SAE
MH 4.5 PLA	13.6 t	13.2 t
MH 4.5 A2	13.9 t	13.5 t
MH 4.5 PLA/A2	14.2 t	13.8 t

Working area with backhoe and adjustable boom/monoboam

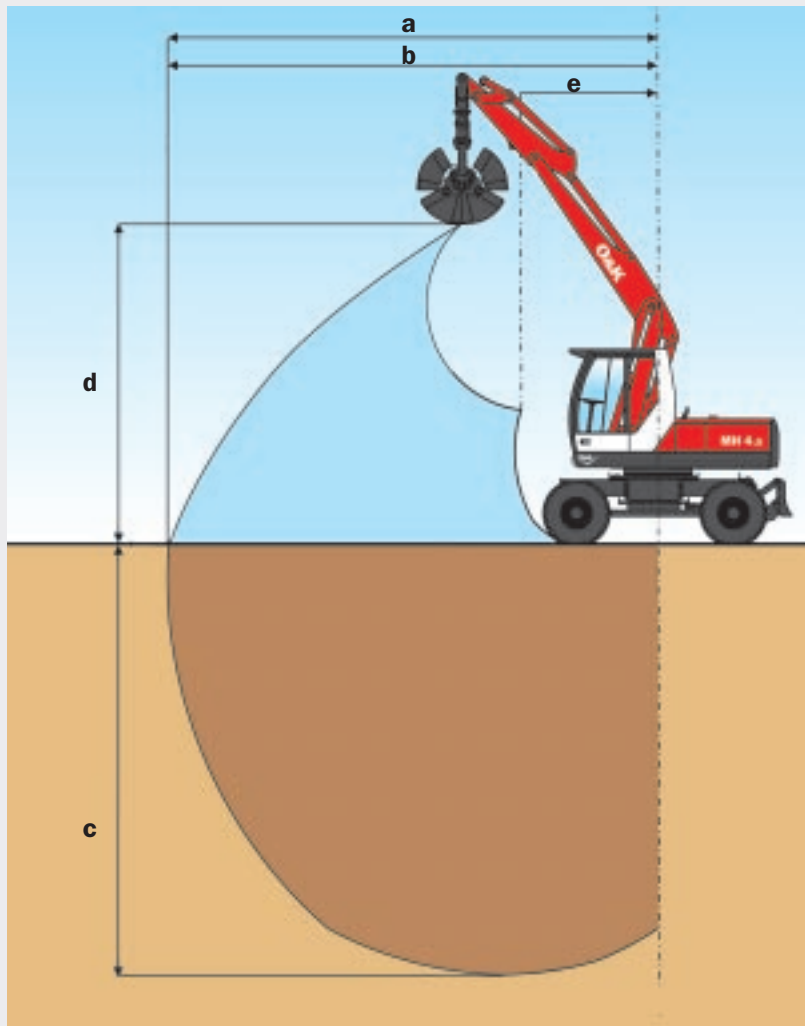


Range		Adjustable boom				Monoboam				
		Stick length	1.7 m	2.3 m	2.5 m	2.9 m	1.7 m	2.3 m	2.5 m	2.9 m
a	Max. reach	m	7.8	8.4	8.6	9.0	7.8	8.3	8.5	8.9
b	Max. reach at level ground	m	7.6	8.2	8.4	8.8	7.5	8.1	8.3	8.7
c	Max. digging depth	m	4.5	5.1	5.3	5.7	4.5	5.1	5.3	5.7
d	Max. penetration height	m	8.6	9.0	9.2	9.4	7.9	8.2	8.3	8.5
e	Max. dump height	m	6.2	6.6	6.8	7.1	5.6	5.9	6.0	6.2
f	Max. vertical digging depth	m	3.7	4.3	4.4	4.8	3.3	3.9	4.1	4.4
g	Min. slewing radius	m	2.5	2.6	2.7	2.7	3.2	3.1	3.1	3.1
h	Max. digging depth at 2.4 m (8") wide base	m	4.4	5.0	5.2	5.6	4.2	4.8	5.1	5.5

		Adjustable boom				Monoboam				
		Stick	1.7 m	2.3 m	2.5 m	2.9 m	1.7 m	2.3 m	2.5 m	2.9 m
	Breakout force*	kN	87	87	87	87	87	87	87	87
	Ripping force*	kN	75	62	59	53	75	62	59	53

* with booster

Working area with grab and adjustable boom



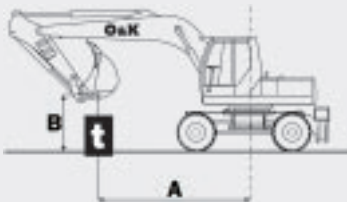
		Stick length	1.7 m	2.3 m	2.5 m	2.9 m
Range						
a	Max. reach	m	6.6	7.2	7.4	7.8
b	Max. reach at level ground	m	6.6	7.2	7.4	7.8
c	Max. digging depth	m	5.7	6.3	6.5	6.9
d	Max. height	m	5.0	5.4	5.6	5.9
e	Min. slewing radius	m	2.4	2.5	2.6	2.7

Grab equipment	
Closing force*	65 kN

* with booster

Adjustable boom 2.1/3.0 m • Backhoe 0.35 m³ SAE

		MH 4.5 PLA-A2												Adjustable boom											
Sticks B	A	3.0 m				4.5 m				6.0 m				7.5 m				max.							
		a	b	c	d	a	b	c	d	a	b	c	d	a	b	c	d	a	b	c	d				
	4.5 m					3.1	4.1*	4.1*	4.1*	1.9	2.7*	2.7*	2.7*												
	3.0 m	5.5	8.3*	8.2	8.3*	3.1	4.9	4.4	5.1*	1.9	3.1	2.8	4.0*												
	1.5 m	5.4	9.2*	8.1	9.2*	3.1	4.8	4.3	6.2*	1.8	3.0	2.7	4.5*												
	1.7 m Gr. level	5.2	9.5	8.2	10.5*	2.8	4.8	4.3	6.7*	1.7	2.9	2.6	4.6					1.3	1.8*	1.8*	1.8*				
	-1.5 m	4.9	9.6	8.1	11.1*	2.5	4.5	4.0	6.8*	1.6	2.8	2.5	3.2												
	-3.0 m	4.7	9.3	7.8	10.3*	2.4	4.4	3.9	5.3*																
	4.5 m					3.1	3.2*	3.2*	3.2*	1.9	2.7*	2.7*	2.7*												
	3.0 m	5.5	6.7*	6.7*	6.7*	3.0	4.5*	4.3	4.5*	1.9	3.1	2.8	3.7*												
	1.5 m	5.4	8.7*	8.1	8.7*	3.0	4.8	4.3	5.7*	1.8	3.1	2.7	4.2*												
	2.3 m Gr. level	5.3	9.3	8.1	9.9*	2.9	4.8	4.3	6.5*	1.7	2.9	2.6	4.6					1.1	1.2*	1.2*	1.2*				
	-1.5 m	4.9	9.6	8.1	10.9*	2.6	4.6	4.1	6.6*	1.6	2.8	2.5	4.5												
	-3.0 m	4.7	9.4	7.8	11.2*	2.4	4.4	3.8	6.5*																
	4.5 m									2.0	2.3*	2.3*	2.3*	1.0*	1.0*	1.0*	1.0*								
	3.0 m					3.0	3.5*	3.5*	3.5*	2.0	2.9*	2.8	2.9*	1.2	1.8*	1.8*	1.8*								
	1.5 m	5.3	8.7*	8.0	8.7*	3.0	4.7	4.2	5.2*	1.9	3.1	2.8	3.9*	1.2	2.0	1.8	2.2*								
	2.9 m Gr. level	5.3	9.2	8.0	9.5*	2.9	4.7	4.2	6.2*	1.8	3.0	2.7	4.4*	1.1	2.0	1.7	2.1*	0.8*	0.8*	0.8*	0.8*				
	-1.5 m	5.0	9.4	8.2	10.6*	2.7	4.7	4.2	6.5*	1.6	2.8	2.5	4.5												
	-3.0 m	4.8	9.5	7.9	11.0*	2.5	4.5	3.9	6.7*	1.5	2.7	2.4	4.2*												



As per ISO 10567, the specified values represent 75 percent of the static tipping load or 87 percent of the hydraulic lift capacity. The values apply with booster activated.

a Total slewing range 360°.
 b as previously, but with undercarriage stabilized.
 c Longitudinal direction +/-15°.
 d as previously, but with undercarriage stabilized.
 * Limited by hydraulic system.

Monoboom 4.6 m • Backhoe 0.35 m³ SAE

		MH 4.5 PLA												Monoboom											
Sticks B	A	3.0 m				4.5 m				6.0 m				7.5 m				max.							
		a	b	c	d	a	b	c	d	a	b	c	d	a	b	c	d	a	b	c	d				
	4.5 m					2.8	3.2	4.2	4.2*	1.7	1.9	2.4*	2.4*												
	3.0 m	4.7	5.5	7.6	8.5*	2.6	2.9	3.9	5.3*	1.6	1.9	2.5	4.1												
	1.5 m					2.4	2.7	3.7	6.3*	1.6	1.8	2.4	4.0												
	1.7 m Gr. level	4.1	4.8	6.0*	6.0*	2.2	2.6	3.5	6.4	1.5	1.7	2.3	3.9					1.3	1.5	1.9*	1.9*				
	-1.5 m	4.1	4.8	6.9	9.8*	2.2	2.6	3.5	6.4																
	-3.0 m	4.3	5.0	7.1	7.6*	2.3	2.6	3.6	5.1*																
	4.5 m									1.7	2.0	2.6	2.6*												
	3.0 m	5.0	5.8	6.9*	6.9*	2.6	3.0	4.0	4.7*	1.7	1.9	2.5	3.7*												
	1.5 m	4.3	5.0	6.2*	6.2*	2.4	2.7	3.7	5.9*	1.5	1.8	2.4	4.0												
	2.3 m Gr. level	4.0	4.7	6.0*	6.0*	2.2	2.6	3.5	6.4	1.5	1.7	2.3	3.9					1.1	1.3	1.3*	1.3*				
	-1.5 m	4.0	4.7	6.8	8.6*	2.2	2.5	3.4	6.3	1.4	1.6	2.2	3.9												
	-3.0 m	4.1	4.8	6.9	8.8*	2.2	2.5	3.5	5.8*																
	4.5 m									1.8	2.0	2.2*	2.2*												
	3.0 m					2.7	3.1	3.7*	3.7*	1.7	1.9	2.5	3.0*	1.1	1.3	1.6*	1.6*								
	1.5 m	4.5	5.2	7.4	8.9*	2.4	2.8	3.8	5.4*	1.5	1.8	2.4	4.0	1.0	1.2	1.6	2.0*								
	2.9 m Gr. level	4.0	4.8	6.3*	6.3*	2.2	2.6	3.5	6.4*	1.4	1.7	2.3	3.9	1.0	1.2	1.6	1.9*	0.9*	0.9*	0.9*	0.9*				
	-1.5 m	3.9	4.6	6.7	7.6*	2.1	2.5	3.4	6.3	1.4	1.6	2.2	3.8												
	-3.0 m	4.0	4.7	6.8	9.6*	2.1	2.5	3.4	6.2*	1.4	1.6	2.2	3.8*												

Lift capacities

Monoboom 4.6 m • Backhoe 0.35 m³ SAE

		MH 4.5 A2												Monoboom											
Sticks B	A	3.0 m				4.5 m				6.0 m				7.5 m				max.							
		a	b	c	d	a	b	c	d	a	b	c	d	a	b	c	d	a	b	c	d				
	4.5 m					2.9	3.8	4.2*	4.2*	1.8	2.3	2.4*	2.4*												
	3.0 m	4.8	6.8	8.2	8.5*	2.7	3.5	4.2	5.3*	1.7	2.3	2.7	4.2*												
	1.5 m					2.4	3.3	4.0	6.3*	1.6	2.2	2.6	4.2												
	1.7 m Gr. level	4.2	6.0	6.0*	6.0*	2.3	3.2	3.8	6.7	1.5	2.1	2.5	4.1					1.3	1.8	1.9*	1.9				
	-1.5 m	4.2	6.1	7.5	9.8*	2.3	3.1	3.8	6.5*																
	-3.0 m	4.4	6.3	7.6	7.6*	2.4	3.2	3.9	5.1*																
	4.5 m									1.8	2.4	2.6*	2.6*												
	3.0 m	5.1	6.9*	6.9*	6.9*	2.7	3.6	4.3	4.7*	1.7	2.3	2.7	3.7*												
	1.5 m	4.4	6.2*	6.2*	6.2*	2.5	3.3	4.0	5.9*	1.6	2.1	2.6	4.2												
	2.3 m Gr. level	4.1	6.0	6.0*	6.0*	2.3	3.2	3.8	6.6	1.5	2.1	2.5	4.0					1.1	1.3*	1.3*	1.3*				
	-1.5 m	4.1	6.0	7.4	8.6*	2.2	3.1	3.7	6.6	1.5	2.0	2.4	4.0												
	-3.0 m	4.2	6.1	7.5	8.8*	2.3	3.1	3.8	5.8*																
	4.5 m									1.8	2.2*	2.2*	2.2*												
	3.0 m					2.8	3.7	3.7*	3.7*	1.7	2.3	2.7	3.0*	1.1	1.5	1.6*	1.6*								
	1.5 m	4.6	6.5	7.9	8.9*	2.5	3.4	4.1	5.4*	1.6	2.2	2.6	4.1*	1.1	1.5	1.8	2.0*								
	2.9 m Gr. level	4.2	6.0	6.3*	6.3*	2.3	3.2	3.8	6.4*	1.5	2.0	2.5	4.0	1.0	1.4	1.7	1.9*	1.0	1.3	0.9*	0.9*				
	-1.5 m	4.1	5.9	7.3	7.6*	2.2	3.0	3.7	6.6	1.4	2.0	2.4	4.0												
	-3.0 m	4.1	6.0	7.3	9.6*	2.2	3.0	3.7	6.2*	1.4	2.0	2.4	3.8*												

		MH 4.5 PLA/A2												Monoboom											
Sticks B	A	3.0 m				4.5 m				6.0 m				7.5 m				max.							
		a	b	c	d	a	b	c	d	a	b	c	d	a	b	c	d	a	b	c	d				
	4.5 m					3.0	4.2*	4.2*	4.2*	1.9	2.4*	2.4*	2.4*												
	3.0 m	5.0	8.5*	8.1	8.5*	2.8	4.7	4.2	5.3*	1.8	3.0	2.7	4.2*												
	1.5 m					2.6	4.5	3.9	6.3*	1.7	2.9	2.6	4.6												
	1.7 m Gr. level	4.4	6.0*	6.0*	6.0*	2.4	4.3	3.8	6.8*	1.6	2.8	2.5	4.5					1.4	1.9*	1.9*	1.9*				
	-1.5 m	4.4	8.8	7.4	9.8*	2.4	4.3	3.8	6.5*																
	-3.0 m	4.6	7.6*	7.6	7.6*	2.5	4.4	3.9	5.1*																
	4.5 m									1.9	2.6*	2.6*	2.6*												
	3.0 m	5.3	6.9*	6.9*	6.9*	2.8	4.7*	4.3	4.7*	1.8	3.0	2.7	3.7*												
	1.5 m	4.6	6.2	6.2*	6.2*	2.6	4.5	4.0	5.9*	1.7	2.9	2.5	4.4*												
	2.3 m Gr. level	4.4	6.0*	6.0*	6.0*	2.4	4.3	3.8	6.6*	1.6	2.8	2.5	4.4					1.2	1.3*	1.3*	1.3*				
	-1.5 m	4.3	8.6*	7.3	8.6*	2.3	4.2	3.7	6.7*	1.5	2.7	2.4	4.4												
	-3.0 m	4.4	8.8	7.4	8.8*	2.4	4.3	3.7	5.8*																
	4.5 m									1.9	2.2*	2.2*	2.2*												
	3.0 m					2.9	3.7*	3.7*	3.7*	1.8	3.0*	2.7	3.0*	1.2	1.6*	1.6*	1.6*								
	1.5 m	4.8	8.9*	7.8	8.9*	2.6	4.6	4.0	5.4*	1.7	2.9	2.6	4.1*	1.1	2.0	1.8	2.0*								
	2.9 m Gr. level	4.4	6.3*	6.3*	6.3*	2.4	4.3	3.8	6.4*	1.6	2.8	2.4	4.4	1.1	1.9*	1.7	1.9*	0.9*	0.9*	0.9*	0.9*				
	-1.5 m	4.3	7.6*	7.2	7.6*	2.3	4.2	3.7	6.7*	1.5	2.7	2.4	4.4												
	-3.0 m	4.3	8.7	7.3	9.6*	2.3	4.2	3.7	6.2*	1.5	2.7	2.4	3.8*												

Attachments

Overall dimensions and weights



		Monoboom	Adjustable boom		Stick			
			Lower part	Upper part				
System length	m	4.60	2.09	3.00	1.70	2.30	2.50	2.90
Weight	kg	800	592	590	260	310	320	370
Linkage	kg				110	110	110	110
Cylinders	kg	190	240	190	120	120	120	120

Trenching buckets

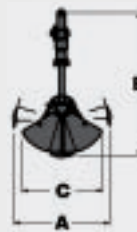


		Rock backhoe		Backhoe		
Capacity (CECE)	m³	0.40	0.50	0.32	0.50	0.60
Capacity (SAE)	m³	0.45	0.55	0.35	0.54	0.60
Width	mm	750	850	600	850	1000
Weight	kg	350	370	285	350	390

Further buckets on request

Clamshell buckets

Capacity	m³	0.30	0.40
Width	mm	600	800
Weight	kg	550	595
A	m	1.45	1.45
B	m	2.40	2.40
C	m	1.35	1.35



O&K Orenstein & Koppel AG
 Staakener Str. 53-63
 D-13581 Berlin
 E-Mail: info@orenstein-koppel.com
<http://www.orenstein-koppel.com>