

Wheeled Excavator Specifications

MH city



Service weight 13.5 t – 15.5 t
Engine output 61 kW
Trenching buckets,
up to 1.1 m³ (SAE)

- PMS three-pump hydraulics
- Electronic control and monitoring system
- Noise insulated, deluxe cab
- Low noise and emission values
- Very low fuel consumption



Short tail, compact build, good maneuverability. The city excavator: MH city.



Electronic immobilizer
standard

Zero-loss superstructure
start-up and braking,
energy recovery

Three stick lengths,
backhoe and rock bucket,
various attachments

Generous working range
for stick and bucket

Patented multi-disc brake
for virtually jolt-free working



CE symbol according to EC Machinery Directive

TÜV certificate for compliance with DIN ISO EN 9001

Lifting gear permitted with installed anti-burst and overload warning devices



Deluxe softline styled cab with ample space for the operator

Electronic engine and pump management PMS III

Powerful O&K diesel, water cooled and clean

Freely selectable engine revs for fuel savings

Encapsulated ball bearing mount with longtime lubrication

Adjustable drive motor with variable tractive force

Comfortable multi-disc transmission, part-load shifting

PMS III - engine and pumps managed to perfection.

PMS III manages engine and pump performance to unbeatable levels of efficiency and convenience. Comprehensive monitoring of all key components reduces downtime and enhances durability. Actual data is continuously compared

with target figures (e.g., temperature) and any deviations are automatically corrected by the system. Hence, no engine overload.

Electronic immobilizer prevents theft.

A standard feature on all O&K excavators is an electronic immobilizer. The engine will only start once a programmable code has been entered. The immobilizing function is overridden with the operating panel keys. During daytime, the immobilizer can be switched off and, after work, it is reactivated to prevent theft, of increasing frequency on construction sites.

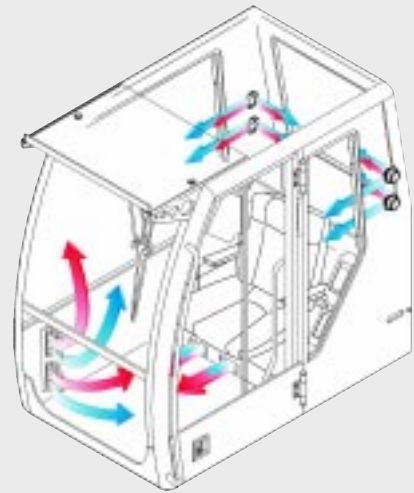
Fuel savings

Brute force handled intelligently. Numerous telling examples from O&K: variable flow, the prioritised ECO output level and rev-lowering under zero-load conditions. Plus the closed swing circuit preventing unnecessary hydraulic heat build-up during superstructure swing-off and braking. Hence, less need to cool and less fuel consumption.

Variable flow for maximum controllability

Just the right amount of oil automatically and whatever the job in hand! Working functions are initiated with extreme precision and virtually no wastage since oil flow matches

actual needs for even closer control. The outcome: lower oil temperatures, extended lifetime for all components and appreciable fuel savings.



The air conditioning system (optional) uses an ingenious air flow system to ensure agreeable temperatures throughout the year.



Fits snugly behind the seat: the O&K cooler (optional).

A motivating work station

The modern cab has ample space for the operator plus a storage area behind the seat. The rounded tinted windows of the futuristic Softline design prevent glare. The frame parts and the large roof window improve upward visibility considerably. The front top pane slides easily under the roof (standard feature), where it locks into place. The lower part removes to allow optimum cab ventilation.

The doors have sliding windows as standard. The front roof projection in tinted lexan keeps out the rain with the front window open while a standard shade prevents sunrays entering from the top and front.

The bright and stimulating colours and the stylish design help to create an agreeable working atmosphere. All the controls are designed to the latest ergonomic findings. The servo-controlled levers with short throw and integrated buttons for additional functions, are conveniently posi-

tioned in the individually adjustable side consoles. Further advantages: the comfortable seat adjustable to the size and weight of the operator, the low noise level, and an extra-throughput ventilator providing slight overpressure within the cab.

Ample power reserves with drive function.

The standard drive function delivers significant power reserve for terrain operation so that at creep speeds, even steep slopes are easily negotiated. The final drive automatically matches travel speed to working conditions for fewer gear shifts.

Multi-disc brake for jolt-free work.

On conventional systems, planetary gear backlash is transferred, frequently causing the excavator to see-saw. This is eliminated by patented O&K technology. The brake force is carried directly to the wheel spider. The excavator stays jolt-free. The brake operates hydraulically in a completely sealed system, producing maximum braking force even under adverse conditions (water). In contrast to compressed air systems, there is no risk of condensed water freezing, thus impairing the braking function.



Powerful, liquid-cooled O&K engine



The powerful diesel engine allows the MH city to develop tremendous forces which are efficiently translated into ample hydraulic output by the PMS III pump managing system. Despite such remarkable power, the engine is still very fuel efficient. And emissions, noise and exhaust, are ultra low, too. The engine complies with all existing emission codes.

Fast maintenance, longer availability

Good access to the engine and all the components shortens servicing time and enhances productivity. All the service items are accessible quickly and safely. As a consequence, routine maintenance is completed in no time at all. Long-time lubricated components such as the fully encapsulated

ball-bearing mounting, help to extend maintenance intervals. The neatly laid out central display shows all the necessary checks and maintenance jobs. In addition, the O&K diagnosis system registers any engine and/or hydraulic defects and reports them before damage occurs.

Comfortable multi-disc transmission shifting under part load

This multi-disc transmission makes O&K wheeled excavators even quicker and life easier for the operator. Part-load on-the-go shifting for easier and faster gear changing.

Outstanding ground clearance

The transmission is flanged directly to the rear axle for added ground clearance. The steering cylinders are safely protected inside the axle housing.



Short tail – ideal for tight construction sites

The short tail is ideal for working on road construction sites where traffic must continue in the second lane. Or excavating between buildings in close proximity to each other. Despite its very compact size, the MH city develops enormous forces and is one of the most productive machines in its class.



Rugged weldment

The rugged, torsion-stiff frame in box construction is robot welded, a modern technology for absolute precision and guaranteed durability.





Engine

O&K diesel BF 4 M 1012
 Water-cooled • Turbo charger • Integrated cooling system for lube oil and coolant • Dry engine air filter with safety cartridge and contamination indicator • Electric rev adjustment • Electric engine stop at key switch

Engine output ISO 9249	61 kW / 2300 RPM
Cylinders / displacement	4 / 3200 cm ³
Bore/stroke	94 mm / 115 mm
Voltage	24 V
2 batteries	each 12 V / 92 Ah
Alternator	28 V / 35 A
Starter	4 kW / 28 V

Exhaust emissions to EU regulations



Hydraulics

PMS three-pump hydraulics with two working pumps and separate slewing pump • Individual control for each pump • Double flow • Parallel bucket circuitry allows 4 functions simultaneously • Micro filtration for return flow, servo and slewing circuits • Variable flow • Hydraulic oil cooler with hydrostatic blower

Total hydraulic output	2 x 126 l/min
Total delivery	64 l/min
max. pressure without pressure booster	320 bar
Maximum pressure with booster	360 bar
Maximum slew gear pressure	390 bar



Control and monitoring system

Engine and pump monitoring with electronic load-limit control (PMS III) • Controlled heat-up phase • Temperature monitoring for engine and hydraulic system with output lowering to protect engine and pumps • 4 selectable output levels: Automatic engine speed lowering

4 selectable output levels:

	Drive	Heavy	Eco	Lift
Engine speed	2300	2100	2000	1800
Pump output	–	100%	90%	65%



Slewing gear

Slewing pump and motor in sealed circuit for zero-loss start-up and braking of superstructure • Slew gear with integrated wear-proof multi-disc brake • Encapsulated ball-bearing mounting with long-time lubrication.

Effective braking moment	35 kNm
Maximum slew speed	9.1 min ⁻¹



Cab

Tinted safety glass • Top front window retracts, lower removes • Sliding window in the door • Roof window • Rain-protection roof • Three-speed blower • Defroster nozzles for leg area and front windows • Central display for all control and monitoring functions • Deluxe operator's seat • Control functions to SAE recommendations • Individually adjustable side consoles • Ergonomic servo-control levers.



Drive

Hydraulic all-wheel drive with variable output drive motor • Tractive force automatically matched to ground conditions • Planetary excavator axles with integrated, direct-impact multi-disc brakes • Steering cylinder integrated into axle housing • Transmission flanged to axle

Max. effective tractive force	89 kN		
Max. travel speed	Off-road	Low gear	6.0 km/h
	Road	High gear	20 km/h
Inching speed		Low gear	2.4 km/h
		High gear	9.2 km/h
Tyres (8)	10.00-20		



Capacities

Fuel	190 l
Coolant	9.30 l
Engine oil, incl. filter	9.25 l*
Slewing gear	3.50 l*
Hydraulic tank	170 l*
Hydraulic system	260 l

*oil change

Standard equipment

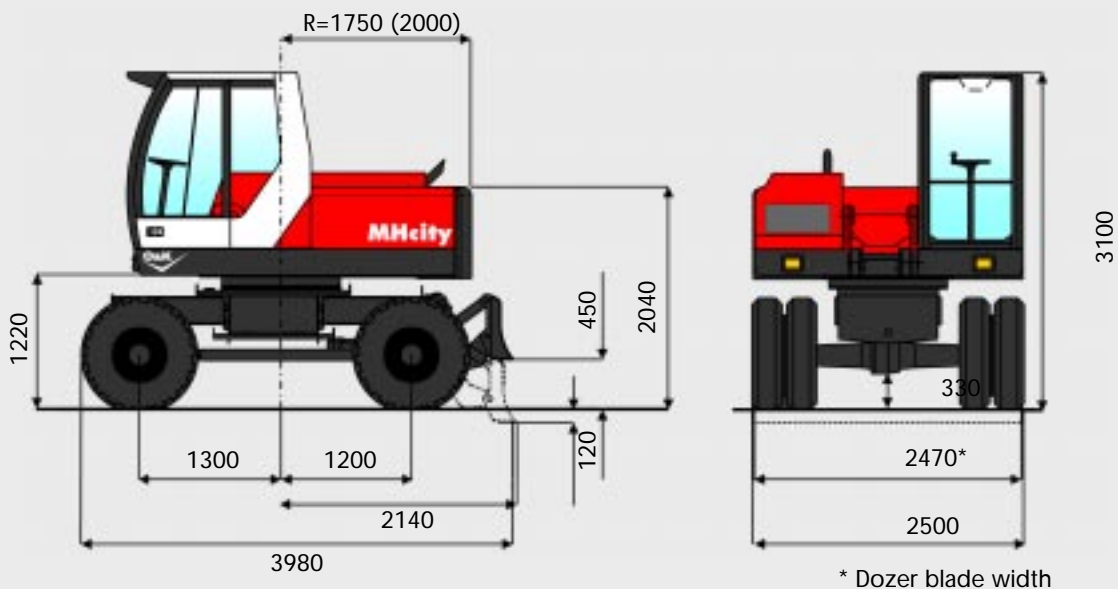
Reduced maintenance due to hardened and corrosion-protected pins, low-wear bushings, sealed bearings and easily accessible lube distributor for the boom • Hydraulic cylinders with plain bearings • Spotlight mounted on boom • Progressive end-of-stroke damping

Options

• Pressure booster and power boost function • Air conditioning • Eco-friendly hydraulic oil • Heater • Anti-burst device and overload warning device • Cassette radio • Spacers • Additional spotlight • Refuelling device • Special tyres • Rock guard • Rear counterweight with 2000 mm rear radius (added weight 1500 kg) • Comfort package • Grab • Prefitted for cassette radio

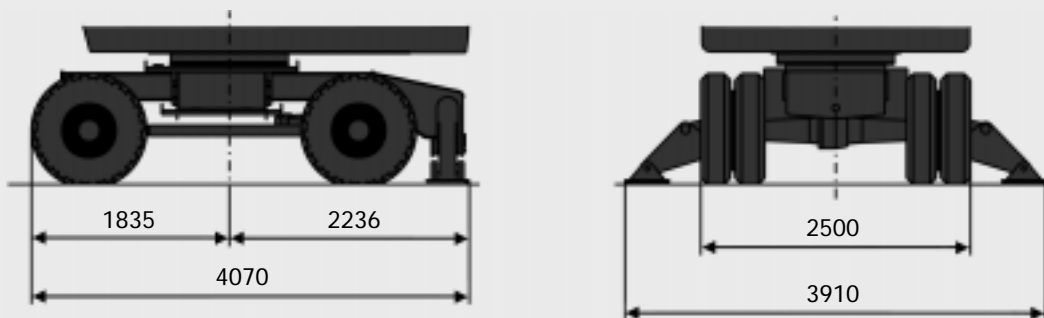
Weights and dimensions

PLA

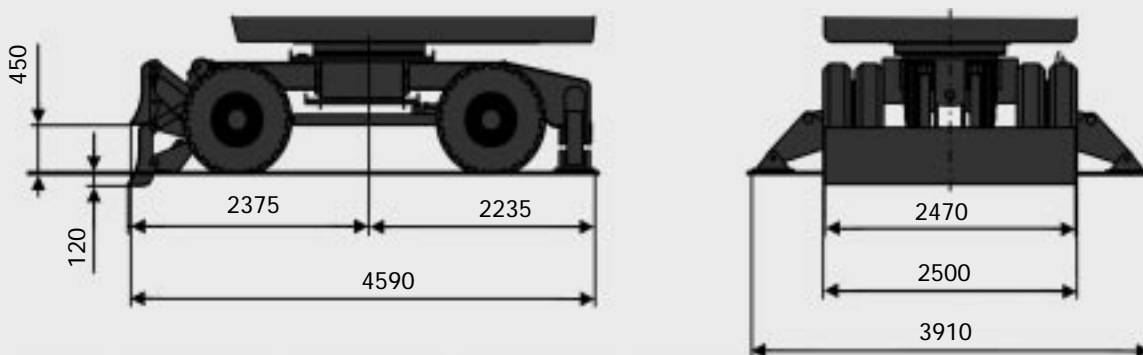


* Dozer blade width

A2

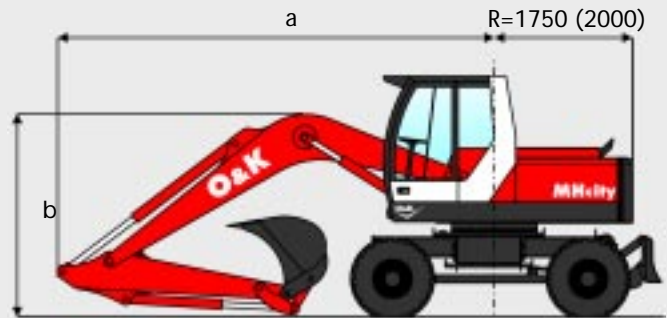
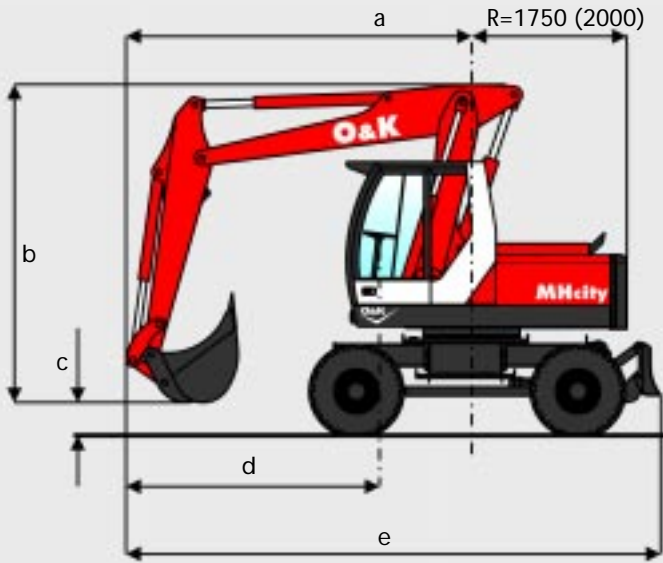


PLA/A2



* Dozer blade width

Weights and dimensions



Road travel					
Sticks	PLA and A2 backhoe				
	a	b	c	d	e
1.7 m	3690	3965	950	2640	5820
2.3 m	3690	3965	330	2640	5820
2.5 m	3690	3965	270	2640	5820
2.9* m	3570	3965	k.A.	2640	5700
Sticks	PLA/A2 backhoe				
	a	b	c	d	e
1.7 m	3690	3965	950	2640	5920
2.3 m	3720	3965	300	2680	5960
2.5 m	3770	3965	260	2730	6000
2.9* m	3560	3965	k.A.	2520	5790

*without bucket

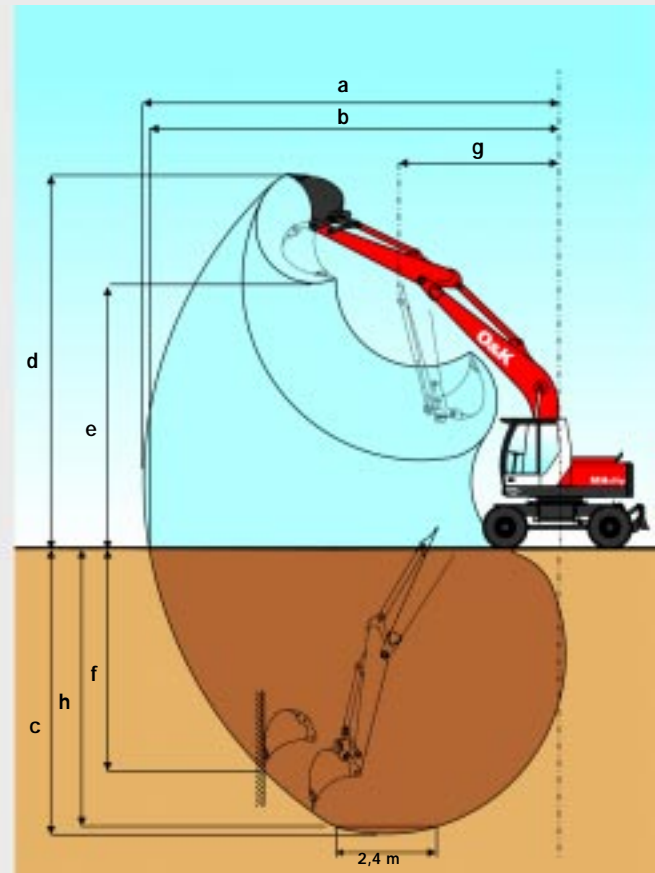
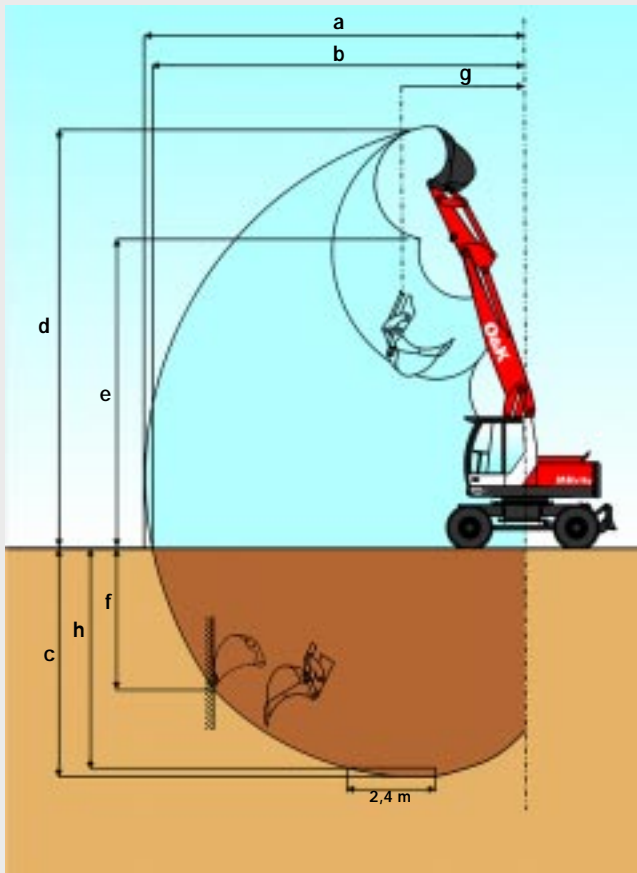
Road travel					
Sticks	PLA, A2 and PLA/A2 grab				
	a	b	c	d	e
1.7 m	4040	3965	1540	3000	6270
2.3 m	4090	3965	840	3050	6325
2.5 m	4155	3965	680	3115	6385
2.9* m	4160	3965	270	3120	6390

*without bucket

Loading dimensions of equipment (without cabin)				
Sticks	Adjustable boom		Monoboom	
	a	b	a	b
1.7 m	5650	2850	5700	2900
2.3 m	5700	2950	5700	2900
2.5 m	5700	3000	5700	3000
2.9 m	5750	3100	5750	3100

	Service weight backhoe 3.0 m adj. boom 2.3 m stick 0.6 m ³ backhoe bucket CECE	Service weight backhoe Monoboom 4.6 m, 2.3 m stick 0.6 m ³ backhoe bucket CECE	Service weight grab 3.0 m adj. boom 2.3 m stick 0.4 m ³ grab CECE
MH city PLA	13.9 t	13.2 t	13.8 t
MH city A2	14.3 t	13.5 t	14.2 t
MH city PLA/A2	14.6 t	13.8 t	14.5 t

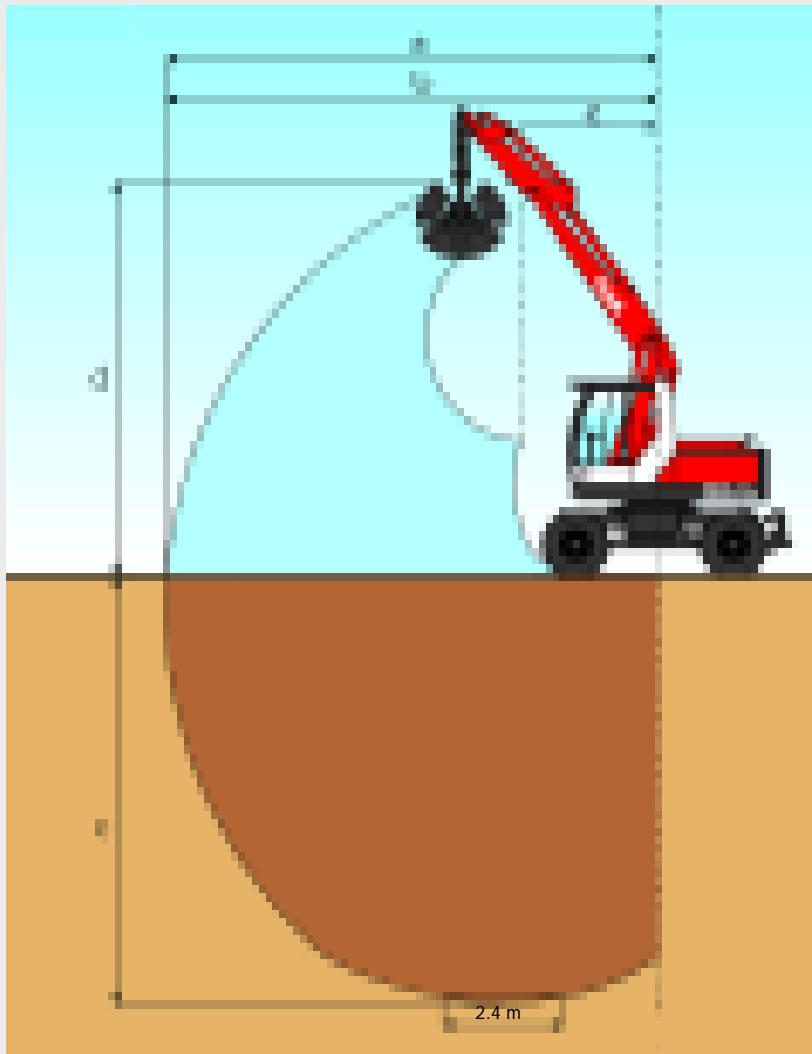
Digging arcs with backhoe and adjustable boom/monoboom



		Adjustable boom				Monoboom			
Stick length Range		1,7 m	2,3 m	2,5 m	2,9 m	1,7 m	2,3 m	2,5 m	2,9 m
a	Max. reach	7,8 m	8,3 m	8,5 m	8,9 m	7,8 m	8,3 m	8,5 m	8,9 m
b	Max. reach at ground level	7,6 m	8,1 m	8,3 m	8,7 m	7,5 m	8,1 m	8,3 m	8,7 m
c	Max. digging depth	4,5 m	5,1 m	5,3 m	5,7 m	4,5 m	5,1 m	5,3 m	5,7 m
d	Max. digging height	8,5 m	9,0 m	9,1 m	9,4 m	7,9 m	8,2 m	8,3 m	8,5 m
e	Max. dump height	6,2 m	6,6 m	6,7 m	7,0 m	5,6 m	5,9 m	6,0 m	6,2 m
f	Max. vertical digging depth	3,7 m	4,2 m	4,4 m	4,8 m	3,3 m	3,9 m	4,1 m	4,4 m
g	Min. slew radius	2,6 m	2,7 m	2,7 m	2,8 m	3,1 m	3,1 m	3,1 m	3,1 m
h	Max. digging depth with 2.4 m (8') base	4,3 m	4,9 m	5,1 m	5,5 m	4,2 m	4,8 m	5,1 m	5,5 m

		Digging forces							
		Adjustable boom				Monoboom			
Stick		1,7 m	2,3 m	2,5 m	2,9 m	1,7 m	2,3 m	2,5 m	2,9 m
Breakout force		90 kN	90 kN	90 kN	90 kN	90 kN	90 kN	90 kN	90 kN
Digging force		75 kN	62 kN	58 kN	53 kN	75 kN	62 kN	58 kN	53 kN

Digging arcs with grab and adj. boom

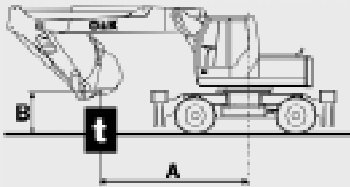


	Stick length	1.7 m	2.3 m	2.5 m	2.9 m
	Range				
a	Max. reach	6.6 m	7.2 m	7.4 m	7.8 m
b	Max. reach at ground level	6.6 m	7.2 m	7.4 m	7.8 m
c	Max. digging depth	5.7 m	6.3 m	6.5 m	6.9 m
d	Max. digging height	5.0 m	5.4 m	5.6 m	5.9 m
e	Min. slew radius	2.4 m	2.5 m	2.6 m	2.7 m

Grab	
Stick	1.7 – 2.9 m
Closing force	64.5 kN

Monoboom 4.6 m • Backhoe 0.35 m³ SAE

MH City PLA/A2					Monoboom																			
Sticks	B	A	3.0 m				4.5 m				6.0 m				7.5 m				max.					
			a	b	c	d	a	b	c	d	a	b	c	d	a	b	c	d	a	b	c	d		
1.7 m	4.5 m					3.0	4.2*	3.8	4.2*	1.8	2.3*	2.3*	2.3*											
	3.0 m					2.8	4.8	3.6	5.2*	1.8	3.0	2.3	4.2*											
	1.5 m					2.6	4.6	3.4	6.3*	1.7	2.9	2.2	4.6*											
	Ground level					4.4	5.8*	5.8*	5.8*	2.4	4.4	3.2	6.8*								1.4	1.9*	1.8	1.9*
	-1.5 m					4.4	9.0	6.1	9.8*	2.4	4.4	3.2	6.6*											
	-3.0 m					4.6	7.8*	6.3	7.8*	2.5	4.5	3.3	5.2*											
2.3 m	4.5 m									1.9	2.5*	2.4	2.5*											
	3.0 m					2.8	4.6*	3.7	4.6*	1.8	3.1	2.3	3.6*											
	1.5 m					2.6	4.6	3.4	5.8*	1.7	2.9	2.2	4.4*											
	Ground level					4.4	5.9*	5.9*	5.9*	2.4	4.4	3.2	6.6*								1.3*	1.3*	1.3*	1.3*
	-1.5 m					4.3	8.4*	6.0	8.4*	2.3	4.3	3.1	6.7*											
	-3.0 m					4.4	8.9*	6.1	8.9*	2.4	4.4	3.2	5.9*											
2.5 m	4.5 m									1.9	2.5*	2.4	2.5*											
	3.0 m					2.9	4.4*	3.7	4.4*	1.8	3.1	2.3	3.4*											
	1.5 m					2.6	4.6	3.4	5.7*	1.7	2.9	2.2	4.3*	1.2	1.4*	1.4*	1.4*							
	Ground level					4.2	6.0*	6.0*	6.0*	2.3	3.2	3.9	6.5*								1.1	1.2*	1.2*	1.2*
	-1.5 m					4.1	6.0	7.4	8.0*	2.2	3.1	3.8	6.7*											
	-3.0 m					4.2	6.1	7.5	9.2*	2.2	3.1	3.8	6.0*											
2.9 m	4.5 m									1.8	2.2*	2.2*	2.2*											
	3.0 m					2.5	3.4	4.1	5.3*	1.7	2.3	2.8	2.9*	1.1	1.6*	1.6*	1.6*							
	1.5 m					2.6	4.6	3.4	5.7*	1.6	2.2	2.6	4.0*	1.1	1.5	1.8	2.0*							
	Ground level					4.2	6.1	6.3*	6.3*	2.3	3.2	3.9	6.3*								1.0	1.5	1.8	1.9*
	-1.5 m					4.0	6.0	7.4	7.5*	2.2	3.1	3.8	6.7*								0.9*	0.9*	0.9*	0.9*
	-3.0 m					4.1	6.0	7.4	9.7*	2.2	3.1	3.8	6.3*											



As per ISO 10567, the specified values represent 75 percent of the static tipping loads or 87 percent of the hydraulic lift capacity. These values apply with booster activated:

- a Total swing range 360°
- b Longitudinal direction +/- 15°
- c Lengthwise +/- 15° on solid, flat ground
- d As above, but with undercarriage stabilized
- * Limited by hydraulic system

Adjustable boom 3.0 m • backhoe 0.35 m³ SAE

MH City PLA					Adjustable boom																			
Sticks	B	A	3.0 m				4.5 m				6.0 m				7.5 m				max.					
			a	b	c	d	a	b	c	d	a	b	c	d	a	b	c	d	a	b	c	d		
1.7 m	4.5 m					2.9	3.3	4.1*	4.1*	1.7	2.0	2.6	2.6*											
	3.0 m					2.9	3.3	4.2	5.1*	1.7	2.0	2.6	4.0*											
	1.5 m					2.9	3.3	4.1	6.1*	1.7	1.9	2.5	4.3											
	Ground level					4.9	5.7	8.0	10.5*	2.7	3.0	4.1	6.6*								1.2	1.4	1.8*	1.8*
	-1.5 m					4.6	5.4	7.7	11.0*	2.4	2.8	3.8	6.8*											
	-3.0 m					4.4	5.1	7.4	10.5*	2.3	2.6	3.7	5.6*											
2.3 m	4.5 m					3.0	3.2*	3.2*	3.2*	1.8	2.1	2.7	2.7*											
	3.0 m					2.9	3.2	4.2	4.5*	1.8	2.0	2.7	3.6*											
	1.5 m					2.8	3.2	4.1	5.7*	1.7	2.0	2.6	4.2*											
	Ground level					5.0	5.8	7.8	9.9*	2.7	3.1	4.1	6.5*								1.0	1.2*	1.2*	1.2*
	-1.5 m					4.6	5.4	7.7	10.9*	2.5	2.9	3.9	6.6*											
	-3.0 m					4.4	5.2	7.5	11.2*	2.2	2.6	3.6	6.5*											
2.5 m	4.5 m					2.8*	2.8*	2.8*	2.8*	1.8	2.1	2.5*	2.5*											
	3.0 m					2.9	3.2	4.2	4.3*	1.8	2.1	2.7	3.4*	1.1	1.2*	1.2*	1.2*							
	1.5 m					2.8	3.2	4.1	5.5*	1.8	2.0	2.6	4.1*	1.0	1.2	1.7	1.7*							
	Ground level					5.1	5.8	7.8	9.7*	2.7	3.1	4.1	6.4*								1.1*	1.1*	1.1*	1.1*
	-1.5 m					4.7	5.5	7.7	10.8*	2.5	2.9	3.9	6.6*											
	-3.0 m					4.5	5.2	7.5	11.2*	2.3	2.6	3.7	6.7*											
2.9 m	4.5 m									1.9	2.1	2.3*	2.3*	0.9*	0.9*	0.9*	0.9*							
	3.0 m					2.9	3.2	3.4*	3.4*	1.9	2.1	2.7	2.9*	1.1	1.3	1.7	1.7*							
	1.5 m					2.8	3.1	4.0	5.1*	1.8	2.0	2.7	3.8*	1.1	1.2	1.7	2.2*							
	Ground level					5.0	5.7	7.7	9.3*	2.8	3.1	4.0	6.2*								1.0	1.2	1.6	2.2*
	-1.5 m					4.7	5.5	7.8	10.6*	2.5	2.9	4.0	6.5*											
	-3.0 m					4.5	5.2	7.5	11.0*	2.3	2.7	3.7	6.7*								0.8*	0.8*	0.8*	0.8*

Lift capacities

Adjustable boom 3.0 m • backhoe 0.35 m³ SAE

MH City A2					Adjustable boom																	
Sticks	B	A	3.0 m				4.5 m				6.0 m				7.5 m				max.			
			a	b	c	d	a	b	c	d	a	b	c	d	a	b	c	d				
1.7 m	Ground level	4.5 m					3.0	3.9	4.1*	4.1*	1.8	2.4	2.6*	2.6*								
		3.0 m	5.3	7.2	8.1*	8.1*	3.0	3.8	4.4	5.1*	1.8	2.4	2.8	4.0*								
		1.5 m	5.3	7.1	8.3	9.0*	2.9	3.8	4.4	6.1*	1.7	2.3	2.7	4.4*								
2.3 m	Ground level	4.5 m					2.8*	2.8*	2.8*	2.8*	1.9	2.5	2.7*	2.7*								
		3.0 m	5.4	6.5*	6.5*	6.5*	2.9	3.8	4.4	4.5*	1.8	2.4	2.9	3.6*								
		1.5 m	5.2	7.0	8.2	8.7*	2.9	3.7	4.3	5.7*	1.8	2.4	2.8	4.2*								
2.5 m	Ground level	4.5 m					2.8*	2.8*	2.8*	2.8*	1.9	2.5	2.5*	2.5*	1.1	1.2*	1.2*	1.2*				
		3.0 m	5.4	6.0*	6.0*	6.0*	2.9	3.8	4.3*	4.3*	1.9	2.5	2.9	3.4*	1.1	1.5	1.7*	1.7*				
		1.5 m	5.2	7.0	8.2	8.8*	2.9	3.7	4.3	5.5*	1.8	2.4	2.8	4.1*	1.1	1.5	1.7*	1.7*				
2.9 m	Ground level	4.5 m					2.9	3.4*	3.4*	3.4*	1.9	2.3*	2.3*	2.3*	0.9*	0.9*	0.9*	0.9*				
		3.0 m	5.2	7.0	8.2	8.5*	2.8	3.7	4.3	5.1*	1.9	2.5	2.8	2.9*	1.2	1.6	1.7*	1.7*				
		1.5 m	5.2	6.9	8.1	9.3*	2.8	3.7	4.3	6.2*	1.7	2.3	2.7	4.3	1.0	1.5	1.8	2.2*	0.8*	0.8*	0.8*	0.8*

MH City PLA/A2					Adjustable boom																	
Sticks	B	A	3.0 m				4.5 m				6.0 m				7.5 m				max.			
			a	b	c	d	a	b	c	d	a	b	c	d	a	b	c	d				
1.7 m	Ground level	4.5 m					3.1	4.1*	3.9	4.1*	1.9	2.6*	2.4	2.6*								
		3.0 m	5.6	8.1*	7.1	8.1*	3.1	4.9	3.8	5.1*	1.9	3.1	2.4	4.0*								
		1.5 m	5.4	9.0*	7.0	9.0*	3.0	4.9	3.8	6.1*	1.8	3.1	2.3	4.5*								
2.3 m	Ground level	4.5 m					3.2	3.2*	3.2*	3.2*	1.9	2.7*	2.5	2.7*								
		3.0 m	5.6	6.5*	6.5*	6.5*	3.1	4.5*	3.8	4.5*	1.9	3.2	2.4	3.6*								
		1.5 m	5.4	8.7*	7.0	8.7*	3.0	4.8	3.7	5.7*	1.9	3.1	2.4	4.2*								
2.5 m	Ground level	4.5 m					2.8*	2.8*	2.8*	2.8*	2.0	2.5*	2.5	2.5*	1.2	1.2*	1.2*	1.2*				
		3.0 m	5.6*	6.0*	6.0*	6.0*	3.0	4.3*	3.8	4.3*	2.0	3.2	2.5	3.4*	1.1	1.7*	1.5	1.7*				
		1.5 m	5.4	8.8*	7.0	8.8*	3.0	4.8	3.7	5.5*	1.9	3.1	2.4	4.1*	1.1	1.7*	1.5	1.7*				
2.9 m	Ground level	4.5 m					3.1	3.4*	3.4*	3.4*	2.0	2.3*	2.3*	2.3*	0.9*	0.9*	0.9*	0.9*				
		3.0 m	5.4	8.5*	7.0	8.8*	3.0	4.8	3.7	5.1*	1.9	3.1	2.4	3.8*	1.2	1.7*	1.6	1.7*				
		1.5 m	5.3	9.3	6.9	9.3*	3.0	4.8	3.7	6.2*	1.8	3.0	2.3	4.4*	1.1	2.0	1.5	2.2*	0.8*	0.8*	0.8*	0.8*

Bucket: 0.32 CECE
 Bucket weight: 285 kg

Attachments

Overall dimensions and weights



		Monoboom		Adj. boom		Stick			
				Lower part	Top part				
System length	m	4.60		2.09	3.00	1.70	2.30	2.50	2.90
Weight	kg	800		592	590	260	310	320	370
Linkage	kg					110	110	110	110
Cylinder	kg	190		240	190	120	120	120	120

Trenching buckets



		Rock backhoe		Backhoe		
Capacity (CECE)	m ³	0.40	0.50	0.32	0.50	0.60
Capacity(SAE)	m ³	0.45	0.55	0.35	0.54	0.60
Width	mm	750	850	600	850	1000
Weight	kg	350	370	285	350	390

Grab

Capacity	m ³	0.16	0.30	0.40
Width	mm	400	600	800
Weight	kg	700	550	595
A	m	1.45	1.45	1.45
B	m	2.48	2.40	2.40
C	m	1.43	1.35	1.35



O&K Orenstein & Koppel AG
 Postfach 20 03 60
 13513 Berlin, Germany
 E-Mail: info@orenstein-koppel.de
<http://www.orenstein-koppel.de>