

Dumpers Specifications

D 25
D 30

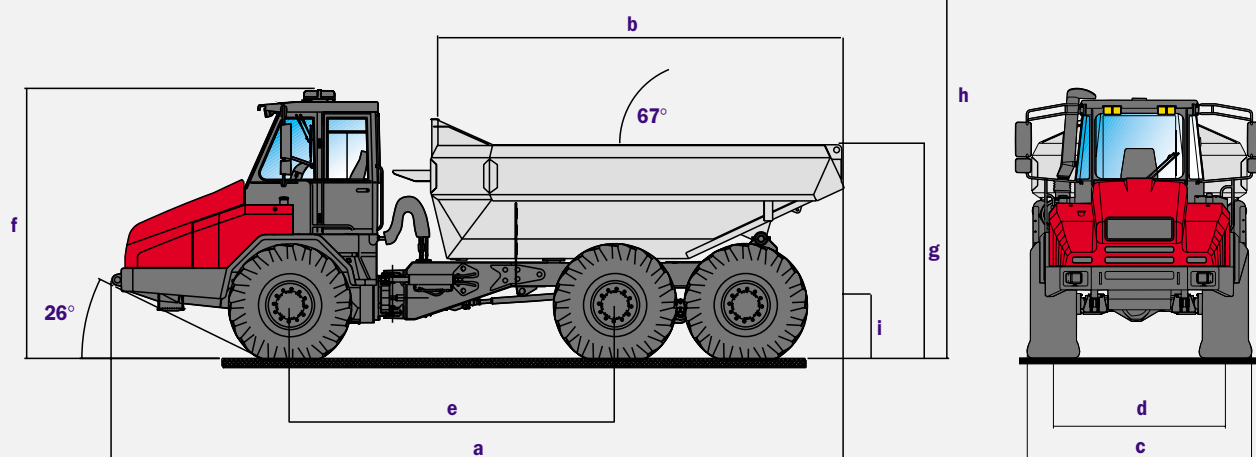


Payload	t	23 – 27
Engine output	kW	194 – 216
Capacity, heaped, SAE 2:1	m³	13 – 18

- High payload by low vehicle weight
- Very robust articulation and oscillation joint
- All axles with SmartLock-automatic limited slip
- Fully hydraulic brake system
- Tipping cylinders inside the frame
- Outstanding visibility



Technical Data



Model		D 25	D 30	
a	Length overall	mm	9808	9728
b	Length of body	mm	5300	5250
c	Operating width	mm	2775	2895
d	Tyre track width	mm	2150	2250
e	Wheelbase	mm	4333	4233
f	Max. canopy height	mm	3517	3517
g	Loading height	mm	2696	2804
h	Full dump height	mm	6394	6350
i	Ground clearance with body tipped	mm	830	838
	Payload	kg	23000	27200
	Vehicle weight, unloaded	kg	17500	19200
	Gross weight	kg	40500	46200
	Capacity struck SAE	m ³	10.6	13.0
	Capacity heaped SAE 2:1	m ³	13.3	16.0
	Capacity heaped with body extension (material density up to 1.5 t/m ³)	m ³	14.8	17.7
	Engine		Cummins 6 CTAA 260	Cummins QSM 11-290
	Engine output	kW (HP)/RPM	194 (260)/2200	216 (290)/2100
	Torque	Nm/RPM	1123/1300	1291/1000
	Transmission		Powershift	Powershift
	Speeds forward/reverse		6/3	6/3
	Max. speed forward	km/h	52	52
	Brakes		Disc	Disc
	Engine Brake		-	Jakobs
	Retarder		optional	optional
	Inside turning radius	mm	4362	4212
	Outside turning radius	mm	8182	8091
	Fuel tank capacity	l	320	320



O&K Orenstein & Koppel AG
 Staakener Str. 53-63
 D-13581 Berlin
 E-Mail: info@orenstein-koppel.com
<http://www.orenstein-koppel.com>